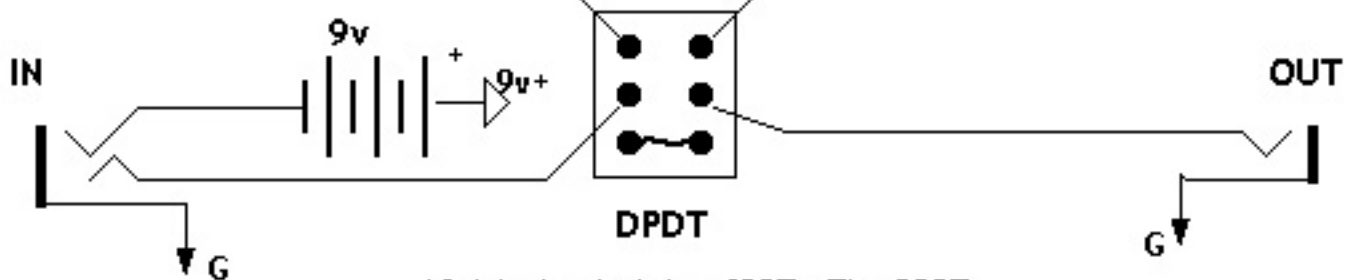
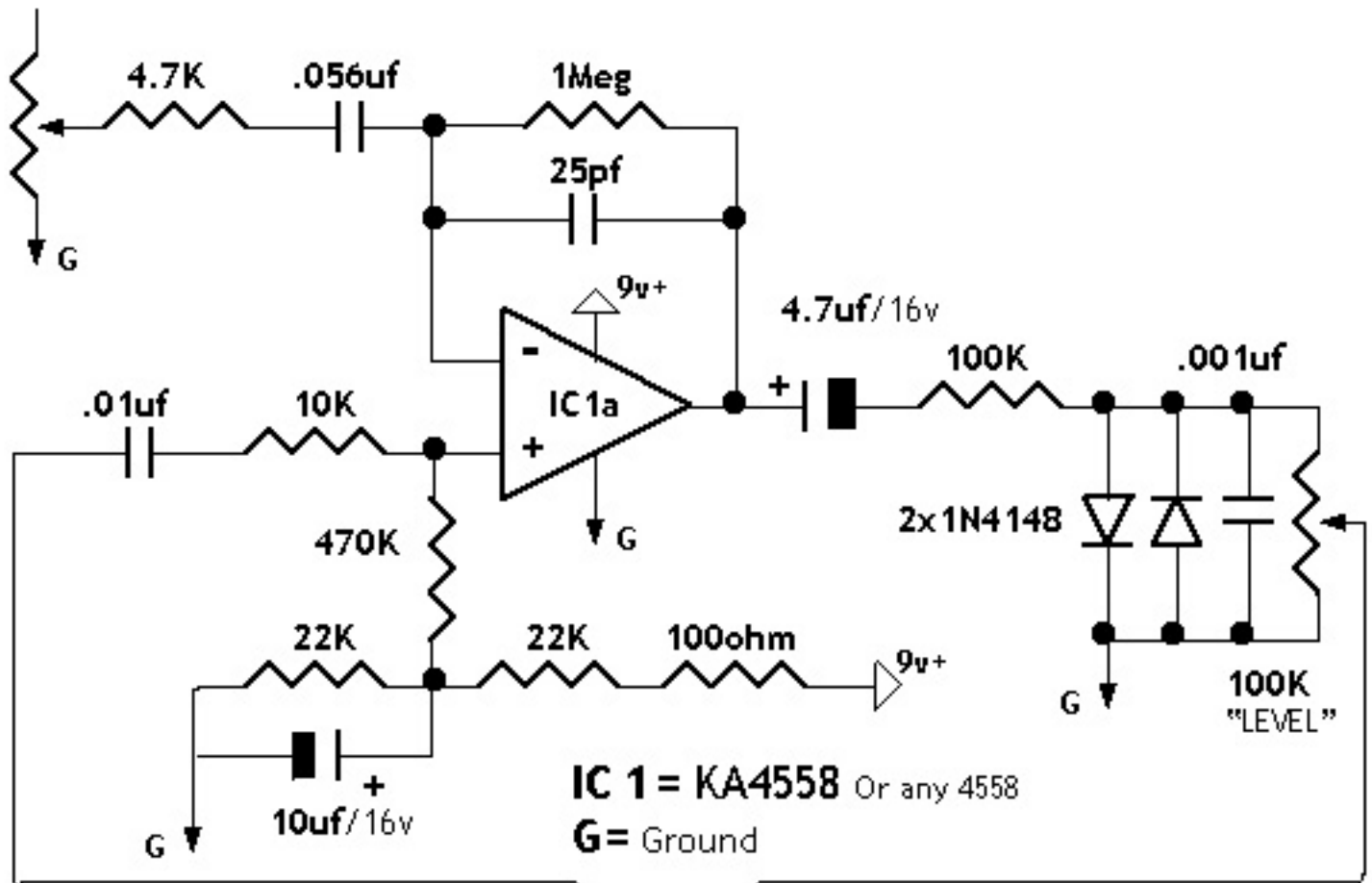


DOD Overdrive Preamp 250 Reissue

Drawn by Joe Nazari 1/5/02

500K Reverse log
"GAIN"



*Original switch is a SPDT. The DPDT was added to provide true bypass switching

Only one Opamp from the 4558 is used

This is the Reissue of the DOD 250 that was released in the late 90's. Note: the .056uF cap, the 100k resistor, and the Opamp are the only differences between this one and the yellow one released in '79. This model also features the yellow finish.

