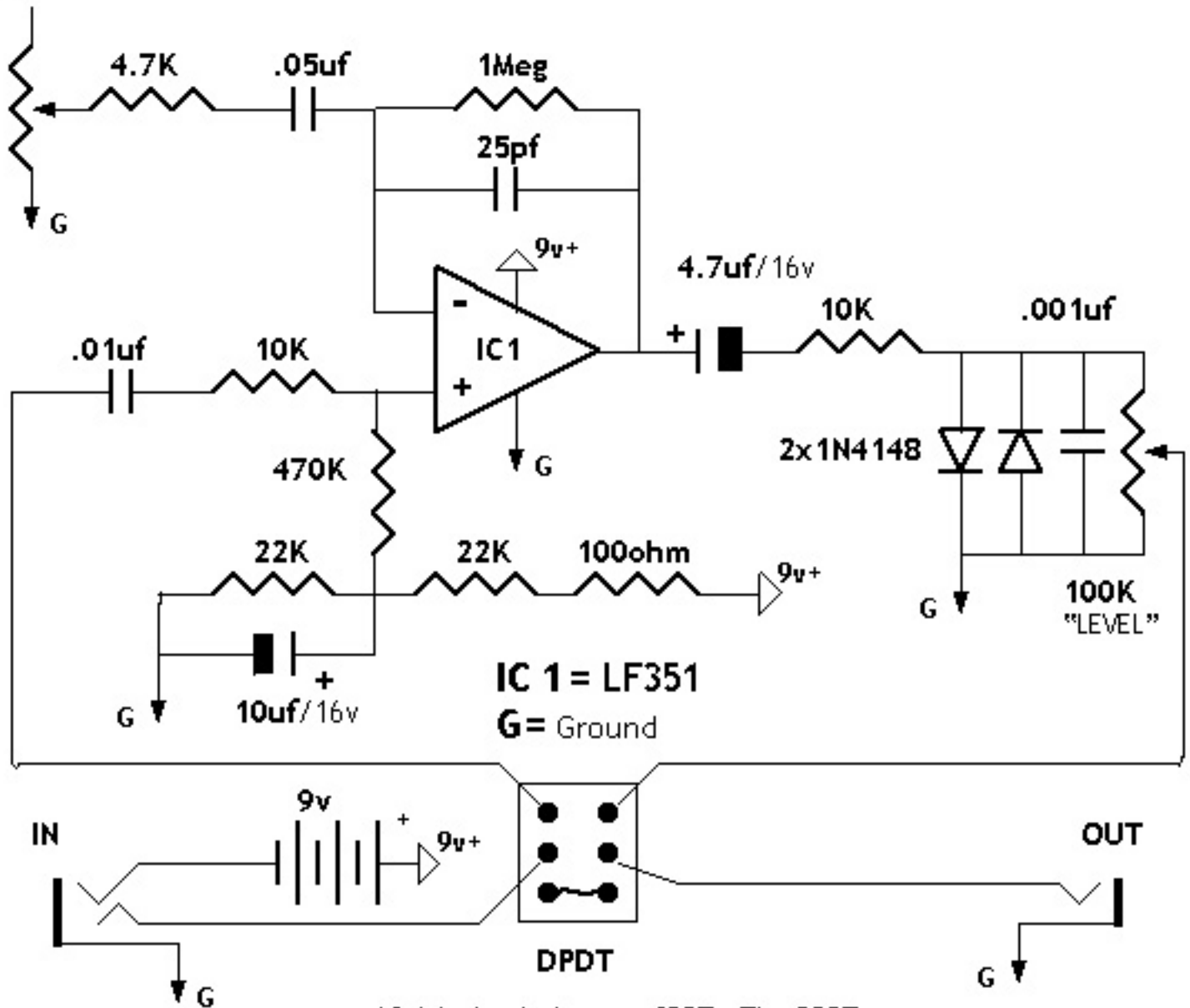


# DOD Overdrive Preamp 250 (Yellow)

Drawn by Joe Nazari 1/5/02

500K Reverse log  
"GAIN"



\*Original switch was a SPDT. The DPDT was added to provide true bypass switching

This schematic was taken from the second run of the 250 DOD released in late '79 or '80. These featured different parts which included the LF351 OpAmps, Silicon diodes, and a canary yellow finish. Older units were gray.